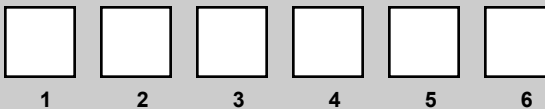


BASE PRICING:

FDC - C22	\$140.00
FDC - R22	\$170.00



(1/32 DIN)	FDC - C22
(DIN Rail)	FDC - R22



Schedule A

1. POWER INPUT

4:	90-264VAC 50/60 HZ	N/C
5:	11-40 VDC / 20-28 VAC, 47-63Hz	\$15.00

2. OUTPUT 1

1:	Form A Relay*	N/C
2:	SSR Drive 5VDC @30 mA	N/C
3:	Isolated 4-20 mA/0-20 mA (OM98-3)	\$33.00
5:	Isolated 0-10VDC (OM98-5)	\$33.00
C:	SSR Drive 14VDC @40 mA (OM94-7)	\$28.00

3. OUTPUT 2 /ALARM 1

0:	None	N/C
1:	Form A Relay*	\$12.00
2:	SSRD 5VDC @30 mA	\$12.00
3:	Isolated 4-20/0-20 mA (OM98-3)	\$33.00
5:	Isolated 0-10VDC (OM98-5)	\$33.00
C:	SSR Drive 14VDC @ 40 mA (OM94-7)	\$28.00

4. OPTION 1

0:	None	N/C
1:	RS-485 (Modbus)	\$55.00
2:	1 Event Input (EI1)	\$12.00
3:	1 CT Input (CT1)	\$12.00

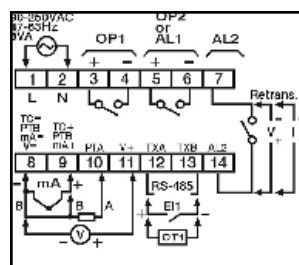
5. OPTION 2

0:	None	N/C
1:	Retransmission 4-20mA/0-20mA (OM98-3)	\$55.00
2:	Retransmission 0-10VDC (OM98-5)	\$55.00
3:	Alarm 2 (Form A Relay)*	\$12.00
4:	1 Event Input (EI2 only for R22)	\$12.00
5:	1 CT Input (CT2 only for R22)	\$12.00

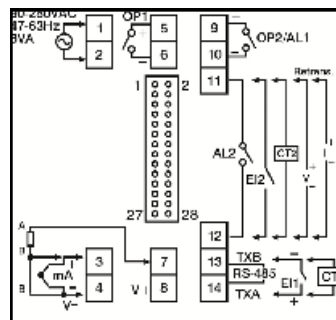
6. SPECIAL

00:	None	N/C
-----	------	-----

C22 Terminal Connection



R22 Terminal Connection



*Form A Relay 2A/240 VAC resistive

CT Sensor 50 amp (0-5vdc out)
CT98-1 \$35.00

DIN Rail Mount Adapter (C22 only) model DRA-32 refer to page 37

FDC-C Series FDC C62

1/16 DIN CONTROLLER

BASE PRICING:

FDC - C62 \$155.00



FDC-C62									
Schedule A									
1	2	3	4	5	6	7	8	9	

1. POWER INPUT

- 4: 90 - 264VAC, 50/60 Hz N/C
- 5: 11-40 VDC / 20-28 VAC, 47-63Hz \$15.00

2. OUTPUT 1

- 1: Form A Relay* N/C
- 2: SSR Drive 5VDC @30 mA N/C
- 3: Isolated 4-20 mA/0-20 mA (OM98-3) \$33.00
- 5: Isolated 0-10VDC (OM98-5) \$33.00
- C: SSR Drive 14VDC @40 mA (OM94-7) \$28.00

3. OUTPUT 2 / ALARM 1

- 0: None N/C
- 1: Form A Relay* \$12.00
- 2: SSRD 5VDC @30 mA \$12.00
- 3: Isolated 4-20/0-20 mA (OM98-3) \$33.00
- 5: Isolated 0-10VDC (OM98-5) \$33.00
- C: SSR Drive 14VDC @ 40 mA (OM94-7) \$28.00

4. ALARM 2

- 0: None N/C
- 1: Form A Relay* \$12.00

5. OPTION1

- 0: None N/C
- 1: RS-485(Modbus) \$55.00

6. OPTION 2

- 0: None N/C
- 1: 2 Event Inputs \$12.00
- 2: 1 Event Input and 1 CT Input \$25.00
- 3: 2 CT Input \$25.00

7. OPTION 3

- 0: NONE N/C
- 1: Retransmission 4-20mA/0-20mA (OM98-3) \$55.00
- 2: Retransmission 0-10VDC (OM98-5) \$55.00
- 3: Alarm 3 (Form A Relay)* \$12.00

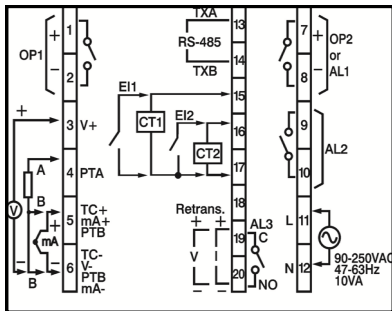
8. OPTION 4

- 0: None N/C
- 1: Terminal Cover \$10.00

9. SPECIAL ORDER

- 00: None N/C

C62 Terminal Connection



*Form A Relay 2A/240 VAC resistive

CT Sensor 50 amp (0-5vdc out)
CT94-1 \$35.00

DIN Rail Mount Adapter model DRA-16 refer to page 37



P.O. Box 1196 Bridgeview, IL 60455
888.751.5444 Sales 888.307.8014 Fax
Technical Support: 866.342.5332
<http://www.futuredesigncontrols.com>

BASE PRICING:

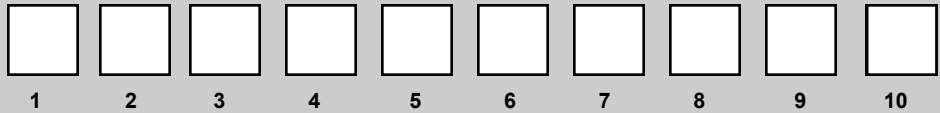
FDC - C82	\$199.00
FDC - C83	\$199.00
FDC - C42	\$199.00

Profile option has 16 steps
1, 2 or 4 profiles have 16, 8 or 4 steps each



(1/8 DIN Vertical) FDC - C82
(1/8 DIN Horizontal) FDC - C83
(1/4 DIN) FDC - C42

Schedule A



1. POWER INPUT

- 4: 90 - 264VAC, 50/60 Hz N/C
- 5: 11-40 VDC / 20-28 VAC, 47-63Hz \$15.00

2. OUTPUT 1

- 1: Form A Relay* N/C
- 2: SSR Drive 5VDC @30 mA N/C
- 3: Isolated 4-20 mA/0-20 mA (OM98-3) \$33.00
- 5: Isolated 0-10VDC (OM98-5) \$33.00
- C: SSR Drive 14VDC @40 mA (OM94-7) \$28.00

3. OUTPUT 2 / ALARM 1

- 0: None N/C
- 1: Form A Relay* \$12.00
- 2: SSRD 5VDC @30 mA \$12.00
- 3: Isolated 4-20/0-20 mA (OM98-3) \$33.00
- 5: Isolated 0-10VDC (OM98-5) \$33.00
- C: SSR Drive 14VDC @ 40 mA (OM94-7) \$28.00

4. ALARM 2 to 3

- 0: None N/C
- 1: Form A Relay* on Alarm 2 \$12.00
- 2: Form A Relay* on Alarm 2 to 3 \$24.00

5. EVENT INPUTS

- 0: None N/C
- 1: 6 Event Inputs \$12.00

6. OPTION 1

- 0: None N/C
- 1: RS-485 (Modbus) and Remote Setpoint \$55.00

7. OPTION 2

- 0: None N/C
- 1: 1CT Inputs and Remote Setpoint \$24.00
- 2: 2CT Inputs and Remote Setpoint \$36.00

*Form A Relay 2A/240 VAC resistive

* CT Sensor 50 amp (0-5vdc out)
CT98-1 \$35.00

8. OPTION 3

- 0: NONE N/C
- 1: Retransmission 4-20mA/0-20mA (CM98-3) and Remote Setpoint \$55.00
- 2: Retransmission 0-10VDC (CM98-5) and Remote Setpoint \$55.00
- 3: Alarm 4 Form A Relay* and Remote Setpoint \$12.00
- 4: Alarm 4, Form A Relay*, Remote Setpoint #1 and 4-20mA/0-20mA Retrains (CM98-3) \$67.00
- 5: Alarm 4, Form A Relay*, Remote Setpoint #1 and 0-10VDC Retrains (CM98-5) \$67.00

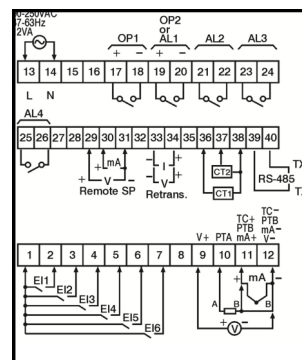
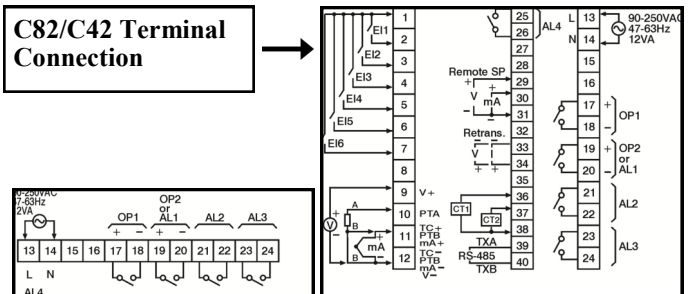
9. OPTION 4

- 0: None N/C
- 1: Terminal Cover \$10.00
- 2: Ramp & Soak Profiler \$35.00
- 3: Terminal cover and Ramp & Soak Profiler \$45.00

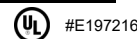
10. SPECIAL

- 00: None N/C

C82/C42 Terminal Connection



C83 Terminal Connection



EC & RoHS Compliant

P.O. Box 1196 · Bridgeview, IL 60455
888.751.5444 Sales · 888.307.8014 Fax

Technical Support: 866.342.5332
<http://www.futuredesigncontrols.com>