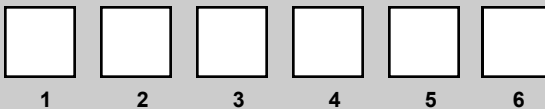


BASE PRICING:

FDC - L22 \$230.00

(DIN Rail) FDC - L22

Schedule A



1. POWER INPUT

- 4: 90-250 VAC 47-63 HZ N/C
- 5: 20 to 28 VAC, 47-63Hz / 11 to 40 VDC \$15.00

2. OUTPUT 1

- 1: Form A Relay (2A, 250V) N/C
- 2: SSRD, 5VDC/30mA N/C
- C: SSRD, 14VDC/40mA \$28.00

3. OUTPUT 2 /ALARM 1

- 0: None N/C
- 1: Form A Relay (2A, 250V) \$12.00
- 2: SSRD, 5VDC/30mA \$12.00
- C: SSRD, 14VDC/40mA \$28.00

4. OPTION 1

- 0: None N/C
- 1: RS-485 (Modbus) \$55.00
- 2: 1 Event Input (EI1) \$12.00

5. OPTION 2

- 0: None N/C
- 1: Retransmission 4-20mA/0-20mA (OM98-3) \$55.00
- 2: Retransmission 0-10VDC (OM98-5) \$55.00
- 3: Alarm 2 (Form A Relay)* \$12.00
- 4: 1 Event Input (EI2) \$12.00

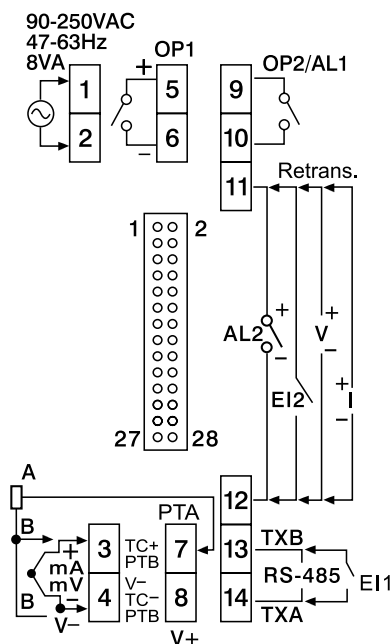
6. SPECIAL ORDER

- 00: None N/C

*Form A Relay 2A/240 VAC resistive



L22 Terminal Connection



* Approvals Pending (Expected Q1 2023)

P.O. Box 1196 Bridgeview, IL 60455
 888.751.5444 Sales 888.307.8014 Fax
 Technical Support: 866.342.5332
<http://www.futuredesigncontrols.com>

BASE PRICING:

FDC - L62 \$220.00



Schedule A	FDC-L62								
	1	2	3	4	5	6	7	8	9

1. POWER INPUT

- 4: 90 to 250 VAC, 47-63Hz N/C
- 5: 20 to 28 VAC, 47-63Hz / 11 to 40 VDC \$15.00

2. OUTPUT 1

- 1: Form A Relay (2A, 250V) N/C
- 2: SSRD, 5VDC/30mA N/C
- C: SSRD, 14VDC/40mA \$28.00

3. OUTPUT 2 / ALARM 1

- 0: None N/C
- 1: Form A Relay (2A, 250V) \$12.00
- 2: SSRD, 5VDC/30mA \$12.00
- C: SSRD, 14VDC/40mA \$28.00

4. ALARM 2

- 0: None N/C
- 1: Form A Relay* \$12.00

5. OPTION1

- 0: None N/C
- 1: RS-485(Modbus) \$55.00

6. OPTION 2

- 0: None N/C
- 1: 2 Event Inputs \$12.00

7. OPTION 3

- 0: NONE N/C
- 1: Retransmission 4-20mA/0-20mA (OM98-3) \$55.00
- 2: Retransmission 0-10VDC (OM98-5) \$55.00
- 3: Alarm 3 (Form A Relay)* \$12.00

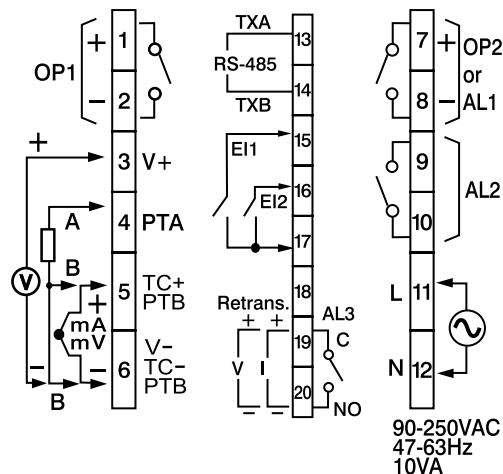
8. OPTION 4

- 0: None N/C
- 1: Terminal Cover \$10.00

9. SPECIAL ORDER

- 00: None N/C

L62 Terminal Connection



High Voltage Input Power

*Form A Relay 2A/240 VAC resistive



* Approvals Pending (Expected Q1 2023)

P.O. Box 1196 Bridgeview, IL 60455
 888.751.5444 Sales 888.307.8014 Fax
 Technical Support: 866.342.5332
<http://www.futuredesigncontrols.com>

BASE PRICING:

FDC - C42 \$340.00



(1/4 DIN) FDC - L42
Schedule A

1	2	3	4	5	6	7	8	9	10
---	---	---	---	---	---	---	---	---	----

1. POWER INPUT

- 4: 90 to 250 VAC, 47-63Hz N/C
- 5: 20 to 28 VAC, 47-63Hz / 11 to 40 VDC \$15.00

2. OUTPUT 1

- 1: Form A Relay (2A, 250V) N/C
- 2: SSRD, 5VDC/30mA N/C
- C: SSRD, 14VDC/40mA \$28.00

3. OUTPUT 2 / ALARM 1

- 0: None N/C
- 1: Form A Relay (2A, 250V) \$12.00
- 2: SSRD, 5VDC/30mA \$12.00
- C: SSRD, 14VDC/40mA \$28.00

4. ALARM 2 to 3

- 0: None N/C
- 1: Form A Relay* on Alarm 2 \$12.00
- 2: Form A Relay* on Alarm 2 to 3 \$24.00

5. EVENT INPUTS

- 0: None N/C
- 1: 2 Event Inputs \$12.00

6. OPTION 1

- 0: None N/C
- 1: RS-485 (Modbus) \$55.00

7. OPTION 2

- 0: None N/C

8. OPTION 3

- 0: NONE N/C
- 1: Retransmission 4-20mA/0-20mA (CM98-3) \$55.00
- 2: Retransmission 0-10VDC (CM98-5) \$55.00

9. OPTION 4

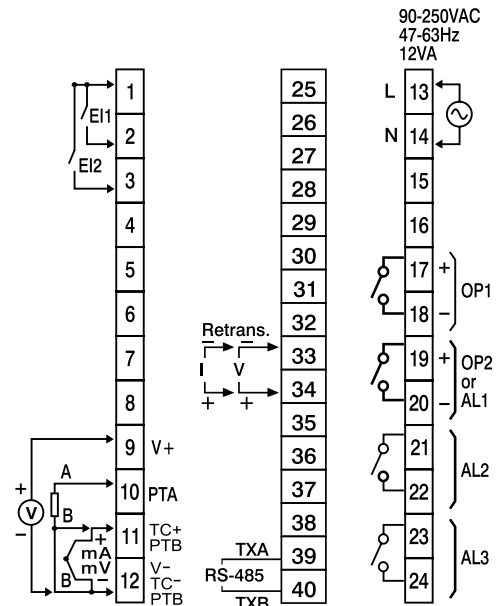
- 0: None N/C
- 1: Terminal Cover \$10.00

10. SPECIAL ORDER

- 00: None N/C

*Form A Relay 2A/240 VAC resistive

L42 Terminal Connection



High Voltage Input Power



* Approvals Pending (Expected Q1 2023)

P.O. Box 1196 Bridgeview, IL 60455
888.751.5444 Sales 888.307.8014 Fax
Technical Support: 866.342.5332
<http://www.futuredesigncontrols.com>